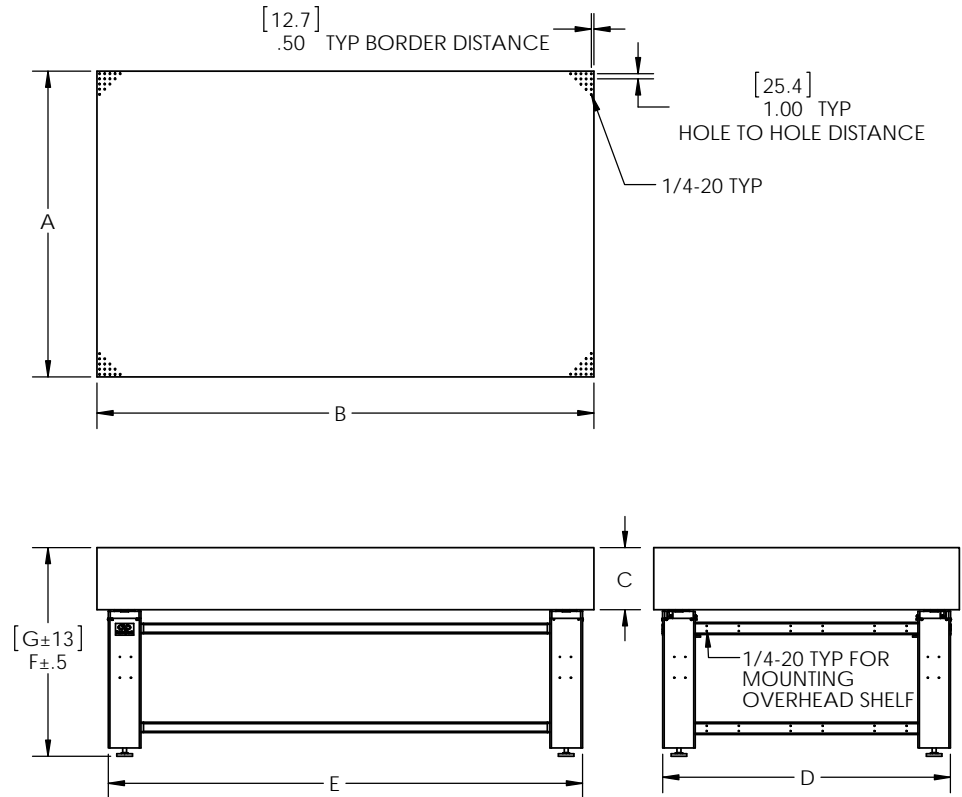


MODEL NUMBER	A in. [mm]	B in. [mm]	C in. [mm]	D in. [mm]	E in. [mm]	F in	G mm
INT2-36-6-A	36.0 [914]	72.0 [1829]	6 [152]	31.6 [803]	67.6 [1717]	34.7	881
INT2-36-8-A	36.0 [914]	72.0 [1829]	8 [203]	31.6 [803]	67.6 [1717]	36.7	932
INT2-38-6-A	36.0 [914]	96.0 [2438]	6 [152]	31.6 [803]	91.6 [2327]	34.7	881
INT2-38-8-A	36.0 [914]	96.0 [2438]	8 [203]	31.6 [803]	91.6 [2327]	36.7	932
INT2-46-6-A	48.0 [1219]	72.0 [1829]	6 [152]	43.6 [1107]	67.6 [1717]	34.7	881
INT2-46-8-A	48.0 [1219]	72.0 [1829]	8 [203]	43.6 [1107]	67.6 [1717]	36.7	932
INT2-46-12-A	48.0 [1219]	72.0 [1829]	12 [305]	43.6 [1107]	67.6 [1717]	40.7	1034
INT2-47-6-A	48.0 [1219]	84.0 [2134]	6 [152]	43.6 [1107]	79.6 [2022]	34.7	881
INT2-47-8-A	48.0 [1219]	84.0 [2134]	8 [203]	43.6 [1107]	79.6 [2022]	36.7	932
INT2-47-12-A	48.0 [1219]	84.0 [2134]	12 [305]	43.6 [1107]	79.6 [2022]	40.7	1034
INT2-48-6-A	48.0 [1219]	96.0 [2438]	6 [152]	43.6 [1107]	91.6 [2327]	34.7	881
INT2-48-8-A	48.0 [1219]	96.0 [2438]	8 [203]	43.6 [1107]	91.6 [2327]	36.7	932
INT2-48-12-A	48.0 [1219]	96.0 [2438]	12 [305]	43.6 [1107]	91.6 [2327]	40.7	1034
INT2-49-6-A	48.0 [1219]	108.0 [2743]	6 [152]	43.6 [1107]	103.6 [2631]	34.7	881
INT2-49-8-A	48.0 [1219]	108.0 [2743]	8 [203]	43.6 [1107]	103.6 [2631]	36.7	932
INT2-49-12-A	48.0 [1219]	108.0 [2743]	12 [305]	43.6 [1107]	103.6 [2631]	40.7	1034
INT2-410-6-A	48.0 [1219]	120.0 [3048]	6 [152]	43.6 [1107]	115.6 [2936]	34.7	881
INT2-410-8-A	48.0 [1219]	120.0 [3048]	8 [203]	43.6 [1107]	115.6 [2936]	36.7	932
INT2-410-12-A	48.0 [1219]	120.0 [3048]	12 [305]	43.6 [1107]	115.6 [2936]	40.7	1034
INT2-56-6-A	59.06 [1500]	72.0 [1829]	6 [152]	55.6 [1412]	67.6 [1717]	34.7	881
INT2-56-8-A	59.06 [1500]	72.0 [1829]	8 [203]	55.6 [1412]	67.6 [1717]	36.7	932
INT2-56-12-A	59.06 [1500]	72.0 [1829]	12 [305]	55.6 [1412]	67.6 [1717]	40.7	1034
INT2-57-6-A	59.06 [1500]	84.0 [2134]	6 [152]	55.6 [1412]	79.6 [2022]	34.7	881
INT2-57-8-A	59.06 [1500]	84.0 [2134]	8 [203]	55.6 [1412]	79.6 [2022]	36.7	932
INT2-57-12-A	59.06 [1500]	84.0 [2134]	12 [305]	55.6 [1412]	79.6 [2022]	40.7	1034
INT2-58-6-A	59.06 [1500]	96.0 [2438]	6 [152]	55.6 [1412]	91.6 [2327]	34.7	881
INT2-58-8-A	59.06 [1500]	96.0 [2438]	8 [203]	55.6 [1412]	91.6 [2327]	36.7	932
INT2-58-12-A	59.06 [1500]	96.0 [2438]	12 [305]	55.6 [1412]	91.6 [2327]	40.7	1034
INT2-59-6-A	59.06 [1500]	108.0 [2743]	6 [152]	55.6 [1412]	103.6 [2631]	34.7	881
INT2-59-8-A	59.06 [1500]	108.0 [2743]	8 [203]	55.6 [1412]	103.6 [2631]	36.7	932
INT2-59-12-A	59.06 [1500]	108.0 [2743]	12 [305]	55.6 [1412]	103.6 [2631]	40.7	1034
INT2-510-6-A	59.06 [1500]	120.0 [3048]	6 [152]	55.6 [1412]	115.6 [2936]	34.7	881
INT2-510-8-A	59.06 [1500]	120.0 [3048]	8 [203]	55.6 [1412]	115.6 [2936]	36.7	932
INT2-510-12-A	59.06 [1500]	120.0 [3048]	12 [305]	55.6 [1412]	115.6 [2936]	40.7	1034



- NOTES:
1. INT2 OPTICAL TABLE HAS 4.8mm SKIN.
 2. DIMS IN [] ARE IN mm.